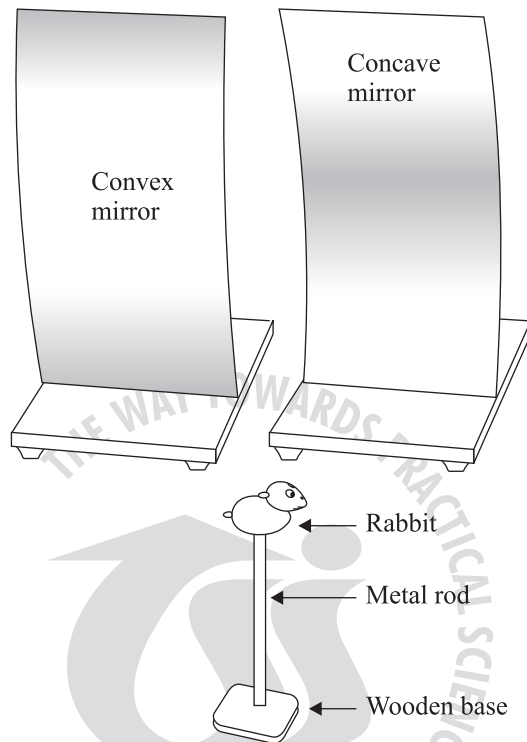


# IMAGES DUE TO CURVED MIRRORS

## Assembly :

Consists of two acrylic mirrors (190x100 mm) of concave and convex shaped. These mirrors are fixed to a metal sheet which has been bent in arc shape. This mirror assembly is again fixed on a clear acrylic base. The base is supported on bushes at the corners. A small wooden rabbit is fixed to a metal rod. The rod is fixed to a wooden base. A single base frame serves as two mirrors back to back.



## To do and observe :

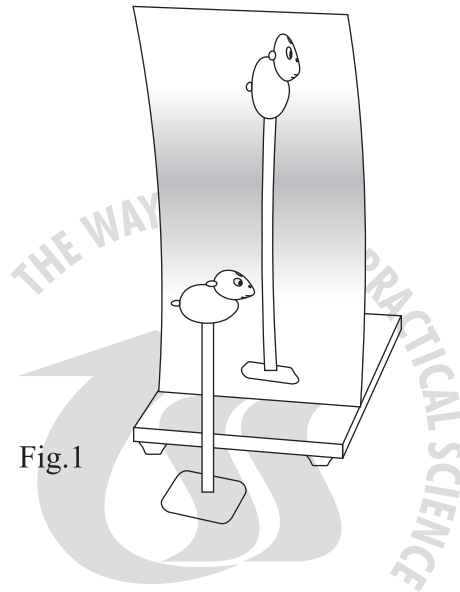


Fig.1

## Step 1 :

Place the mirror assembly on the table with concave shaped mirror facing rabbit at a suitable distance.

You will observe an vertically elongated image of the rabbit in the mirror as shown in fig. 1

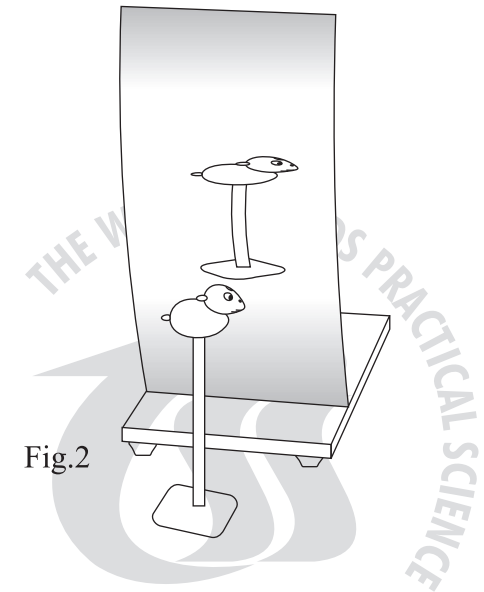


Fig.2

## Step 2 :

Reverse the position of the mirror such that now convex shaped mirror faces rabbit. You will observe a bulged image of rabbit in the mirror as shown in fig. 2

**What is going on :**

It is the application of magnified and diminished images formed by concave and convex mirror. When a man stands in front of such full sized mirrors (normally present in museums). We see our funny images. So these mirrors are called funny mirrors or laughing mirrors.



TARANG SCIENTIFIC INSTRUMENTS



TARANG SCIENTIFIC INSTRUMENTS



**IMAGES DUE  
TO CURVED  
MIRRORS**

**TARANG SCIENTIFIC INSTRUMENTS**

DHARWAD

Phone : 0836-2775204

Cell : 94482 31960